

asber  **DIRECT DRAW  
KEG COOLERS**



REX01178-4T



**KEY FEATURES**

- ④ Self-contained Refrigeration
- ④ Front Breathing Air Cooled Refrigeration
- ④ Epoxy Coated Evaporator
- ④ Black Vinyl Exterior
- ④ R-290 Hydrocarbon Refrigerant
- ④ Door lock with Universal Key
- ④ Stainless Steel Door Trim
- ④ NSF White Coated Steel Interior Walls
- ④ 2" Thick Ecomate CFC Free Insulation
- ④ Meets the NSF-7 Standard for Food Safety
- ④ LED Interior Lights
- ④ Knock Outs for Co2/N2 Gas Connection
- ④ 2-Year parts and labor warranty
- ④ 5-Year compressor warranty



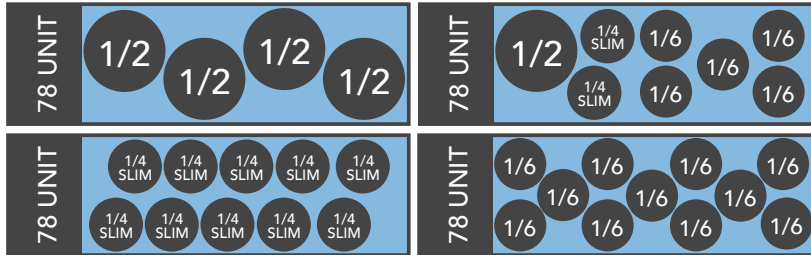
**OPTIONS & ACCESSORIES**

- ④ Direct Draw Towers 1-8 Tap
- ④ CO2 & N2 Tapping Kits
- ④ Glycol Recirculation Cooling Kit
- ④ Keg Couplers
- ④ Tap Handles
- ④ Custom Printed Vinyl Wraps
- ④ Stainless Steel Exterior
- ④ Mobile Frame with Casters
- ④ 6" Adjustable Stainless Steel Legs

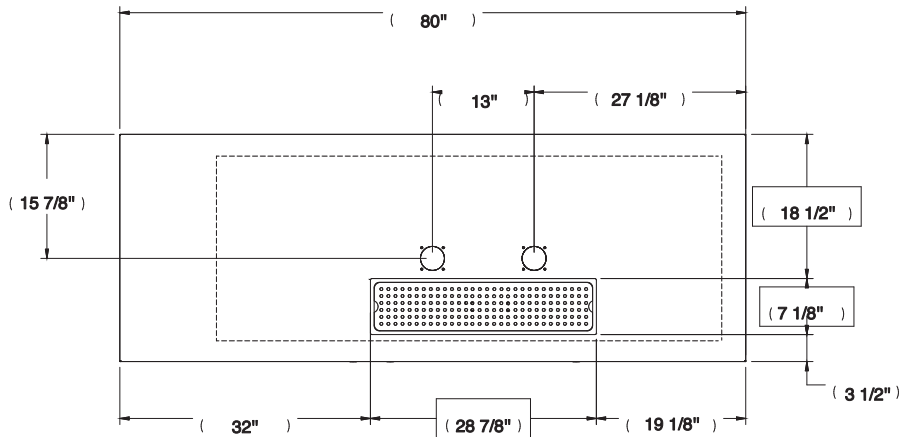


Product Code	Doors	Kegs	Towers	Taps	Amps	HP	Voltage	Width	Depth	Ship Weight
REX01178	3	4-11	X	X	3.0	1/3	115/60	80"	29"	396
REX01178-4T	3	4-11	2	4	3.0	1/3	115/60	80"	29"	406
REX01178-5T	3	4-11	2	5	3.0	1/3	115/60	80"	29"	411

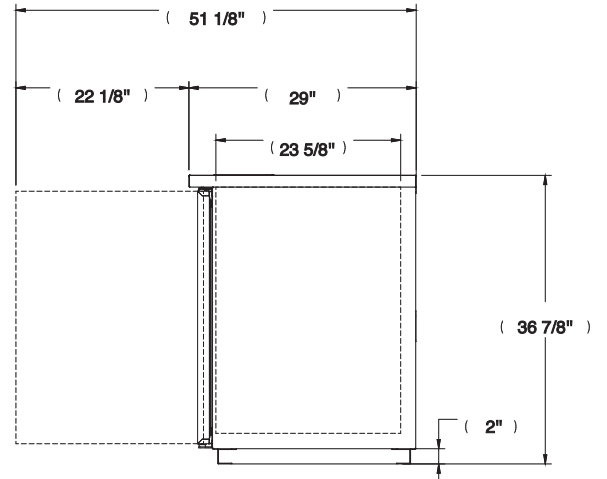
**KEG FOOTPRINT**



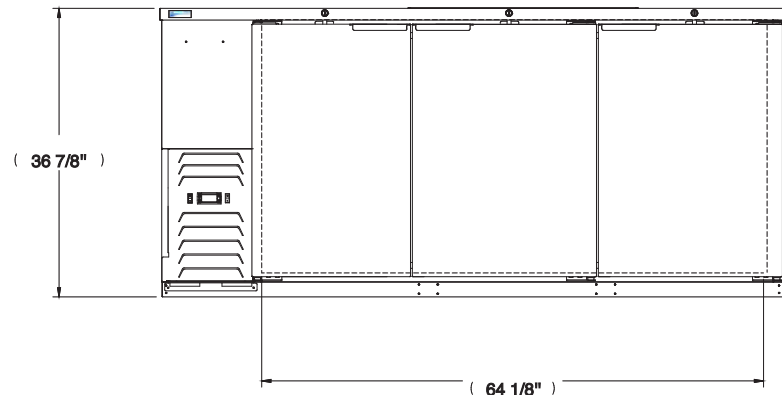
**TOP**



**SIDE**



**FRONT**



**TOWER MOUNTING TEMPLATE**

TOWER HOLES INCLUDES PLASTIC SEPARATOR TO MAINTAIN THE HOLES FREE OF INSULATION

